

**CHICAGO FAUCETS**  
a Geberit company

2100 South Clearwater Drive  
Des Plaines, IL 60018  
Phone: 847-803-5000  
Fax: 847-803-5454  
www.chicagofaucets.com

**REPAIR PARTS**

BY: JAR DATE: 11-19-07

CHK: *[Signature]* REV:

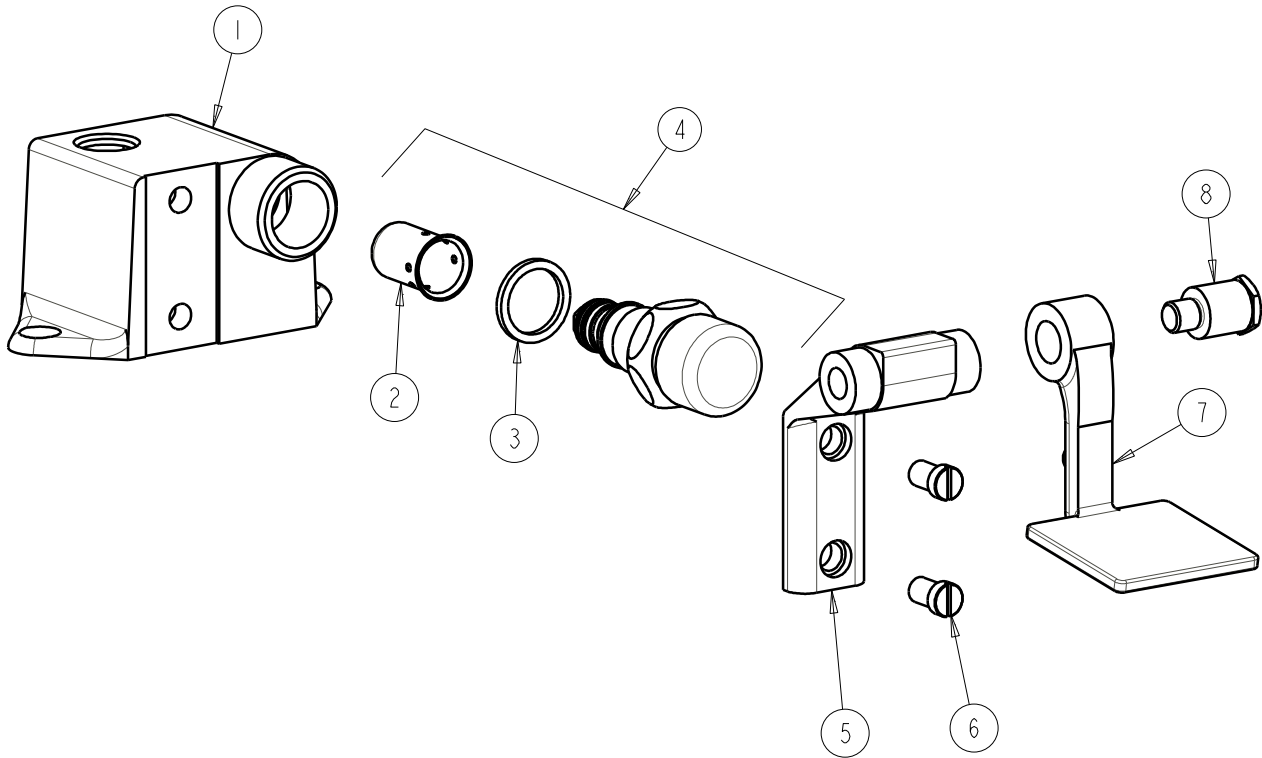
FITTING NO.

**628-RCF**

SUBMITTED MODEL NO.

ITEM NO.

**FOR TECHNICAL ASSISTANCE**  
1-800-TEC-TRUE (1-800-832-8783)



ITEM	PART NO.	DESCRIPTION
1	---	VALVE BODY (NOT SOLD SEPERATELY)
2	333-075JKNF	DASHPOT
3	1-043JKNF	CAP GASKET
4	628-XJKNF	FOR PARTS SEE 628-X
5	625-060JKRCF	BRACKET
6	625-006JKBNF	SCREW
7	625-258JKNF	PEDAL
8	625-061JKRCF	BOLT