

CHICAGO FAUCETS
a Geberit company

2100 South Clearwater Drive
Des Plaines, IL 60018
Phone: 847-803-5000
Fax: 847-803-5454
www.chicagofaucets.com

REPAIR PARTS

FITTING NO.

116.124.21.1

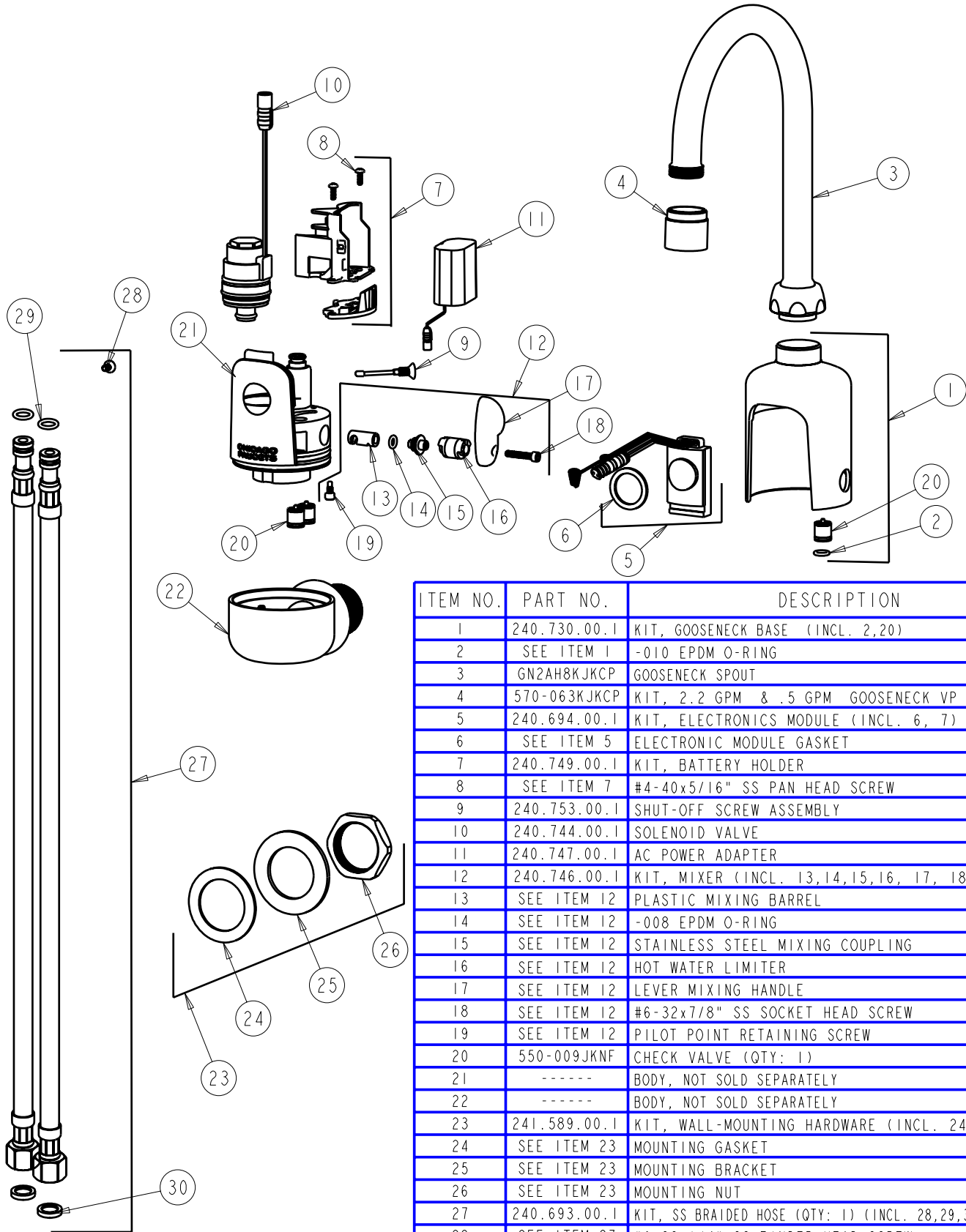
SUBMITTED MODEL NO.

ITEM NO.

FOR TECHNICAL ASSISTANCE
1-800-TEC-TRUE (1-800-832-8783)

BY: SID DATE: 06-30-08

CHK: REV:



ITEM NO.	PART NO.	DESCRIPTION
1	240.730.00.1	KIT, GOOSENECK BASE (INCL. 2,20)
2	SEE ITEM 1	-010 EPDM O-RING
3	GN2AH8KJKCP	GOOSENECK SPOUT
4	570-063KJKCP	KIT, 2.2 GPM & .5 GPM GOOSENECK VP OUTLET
5	240.694.00.1	KIT, ELECTRONICS MODULE (INCL. 6, 7)
6	SEE ITEM 5	ELECTRONIC MODULE GASKET
7	240.749.00.1	KIT, BATTERY HOLDER
8	SEE ITEM 7	#4-40x5/16" SS PAN HEAD SCREW
9	240.753.00.1	SHUT-OFF SCREW ASSEMBLY
10	240.744.00.1	SOLENOID VALVE
11	240.747.00.1	AC POWER ADAPTER
12	240.746.00.1	KIT, MIXER (INCL. 13,14,15,16, 17, 18, 19)
13	SEE ITEM 12	PLASTIC MIXING BARREL
14	SEE ITEM 12	-008 EPDM O-RING
15	SEE ITEM 12	STAINLESS STEEL MIXING COUPLING
16	SEE ITEM 12	HOT WATER LIMITER
17	SEE ITEM 12	LEVER MIXING HANDLE
18	SEE ITEM 12	#6-32x7/8" SS SOCKET HEAD SCREW
19	SEE ITEM 12	PILOT POINT RETAINING SCREW
20	550-009JKNF	CHECK VALVE (QTY: 1)
21	-----	BODY, NOT SOLD SEPARATELY
22	-----	BODY, NOT SOLD SEPARATELY
23	241.589.00.1	KIT, WALL-MOUNTING HARDWARE (INCL. 24,25,26)
24	SEE ITEM 23	MOUNTING GASKET
25	SEE ITEM 23	MOUNTING BRACKET
26	SEE ITEM 23	MOUNTING NUT
27	240.693.00.1	KIT, SS BRAIDED HOSE (QTY: 1) (INCL. 28,29,30)
28	SEE ITEM 27	#6-32x1/4" SS BINDER HEAD SCREW
29	SEE ITEM 27	-011 EPDM O-RING
30	3300-005JKNF	FILTER GASKET