

Infrared Urinal Flushometer Valve DC Power Source Retro-fit Unit

Product Specifications



0.5 gpf volume (1.9 liters)

115.840.21.1 - 0.5 - Right hand rough-in

115.842.21.1 - 0.5 - Left hand rough-in

■ GEBERIT®

Advanced plumbing technology

Model 115.840.21.1 - 0.5 Right Hand

Model 115.842.21.1 - 0.5 Left Hand

DC Power Source – Retro-fit Unit 0.5 gpf volume flush (1.9 liters)

Product Specifications

Flushometer valve housing shall be chrome plated die-cast metal.

Valve shall feature: dual infrared sensors, turbine metering system, four "AA" alkaline batteries providing 144,000 cycle life; batteries shall be replaceable without water source shut-off; low battery indicator integral with sensor array; range and flush volume adjustments shall be made without disassembly. Flush volumes shall be adjustable in 1/10th gallon (0.38 liter) increments without disassembly; valve factory set for 0.5 GPF (1.9 liter) flush.

Options

Service remote control
Clean remote control

Features

- Patented turbine flow meter water control system
- Adjustable infrared ranging without disassembly
- Range 15'-42' (38.1-106.7 cm) – Factory setting 20' (50.8 cm)
- DC power – 4 "AA" alkaline batteries included
- Battery life expectancy – 144,000 cycles
- Stainless steel particulate filter
- Consistent flush regardless of pressure fluctuations
- Minimum operating pressure – 15 PSI (1.0 bar)
- Maximum operating pressure – 100 PSI (7 bar)
- Low battery warning system
- Dual infrared sensor system
- Flush volume adjustable in 1/10th gallon (0.38 liter) increments
- Complies with ADA requirements
- Clean remote allows unit shut-off for 10 minutes
- Automatically turns itself back on after 10 minutes if clean remote not activated
- Statistical feedback (with optional service remote)

Warranty

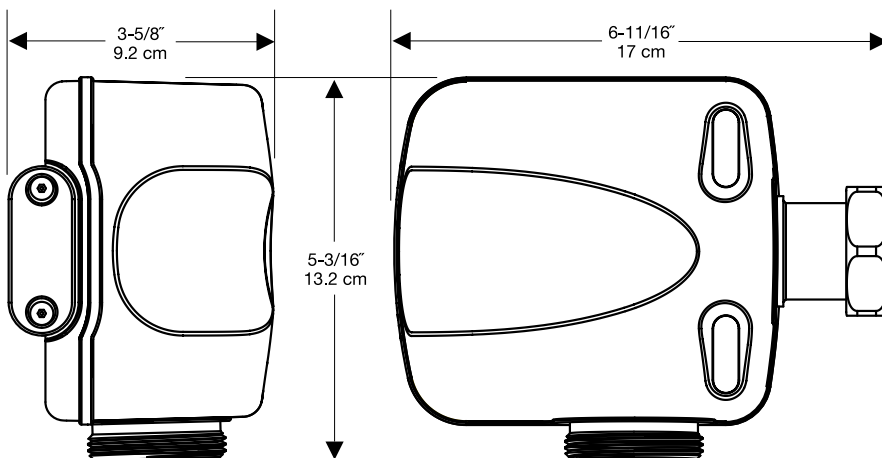
- Full three-year limited warranty on solenoid
- Five-year limited warranty on all other mechanicals

Compliance

- ASSE 1037
- ADA compliant

Note:

Pressurized plumbing fixture flushing devices (flushometers) shall be installed in accordance with manufacturer's recommendations. The supply piping to these devices shall be securely anchored to the building structure to prevent the installed device from unnecessary movement when operated by the user. Care shall be exercised when installing the device to prevent marring the exposed significant surface.



■ GEBERIT®

Advanced plumbing technology

Geberit Manufacturing, Inc.

1100 Boone Dr., Michigan City, IN 46360 USA

U.S.: Phone: 219.879.4466 • Toll-free: 800.225.7217 • Fax: 219.872.8003

Canada: Toll-free: 866.748.4646 • Fax: 514.648.8509

www.us.geberit.com