

# Infrared Faucet Tempered Water – Single Supply Line AC Power Source

Product Specifications



115.736.21.1

**■ GEBERIT®**

Advanced plumbing technology

# Model 115.736.21.1 Internal Mixer - AC Power Single Supply - Tempered Water

## Product Specifications

Faucet shall be chrome-plated, all metal construction, solid brass spout measuring 4-13/16" from centerline of faucet.

Faucet shall feature: infrared self-adjusting sensor, single hole mounting; 115V AC power source required. All power source controls contained in spout cavity; removable shroud with internal temperature control; flow control 2.2 GPM (8.3 LPM) vandal resistant aerator; stainless supply line (provided); filtering backflow preventer (provided); direct to supply stop connection.

Used in tempered water applications.

Use a code approved tempering valve during installation.

## Warranty

Five-year limited

## Options

- 4" c.c. chrome bolt down plate
- 8" c.c. chrome bolt down plate
- Service remote control
- Point of use power converter
- Transformer for bank installations

## Optional Vandal Resistant Aerators

- 2.0 GPM (7.6 LPM) laminar flow
- 0.5 GPM (1.9 LPM) flow restrictor

## Features

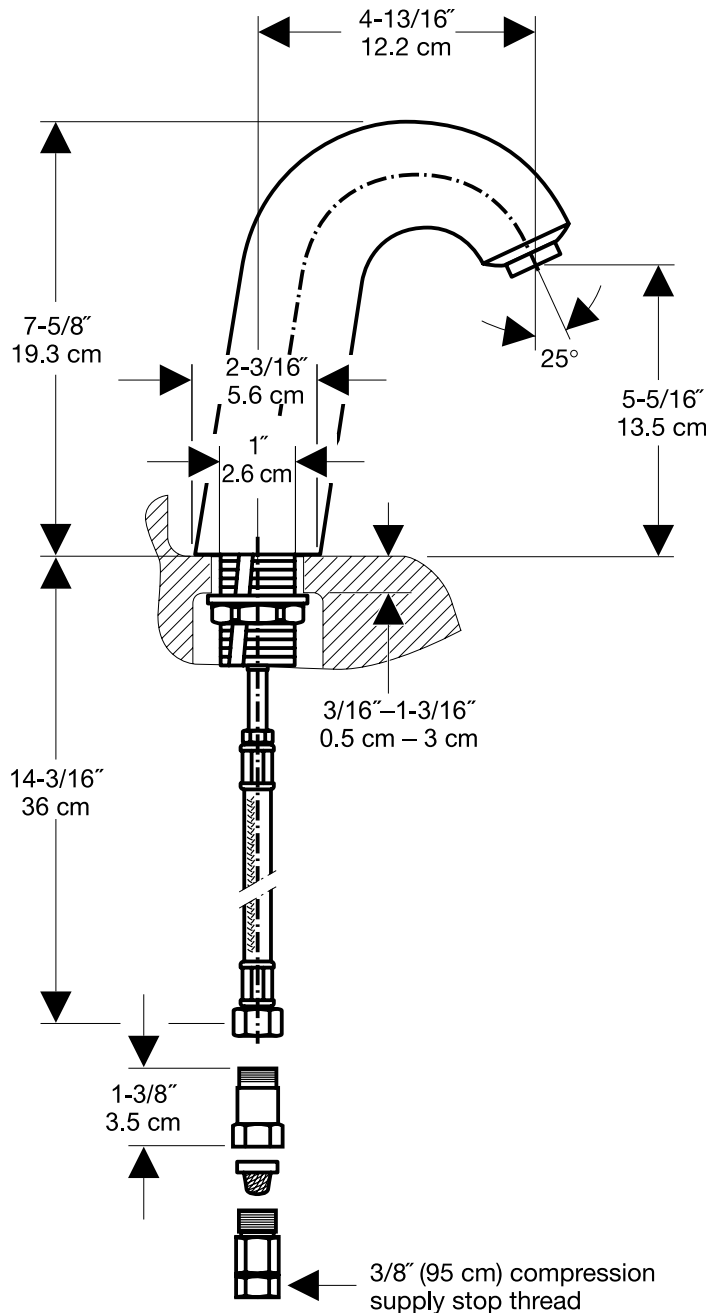
- Self adjusting infrared actuation
- Single supply line for tempered water applications
- AC power source
  - Single point of use adapter
  - Bank installation (up to 8) transformer
- Internal temperature control
- Above deck access to all functional components
- Electrical access below deck
- Vandal resistant design
- Solid brass spout with triple chrome plating
- Vandal resistant aerator
  - 2.2 GPM (8.3 LPM) flow
- Two I. R. sensors
  - More accurate ranging
  - Less false starts
- Complies with ADA requirements
- Exclusive 90 second cleaning cycle
- Full five-year warranty
- Statistical feedback
  - With optional service remote

## Technical Data

- Ambient temperature range: 35°-104° F (1.6-40° C)
  - 100% relative humidity
- Pressure range: 15-115 PSI (1-7.9 bar)
- Max. supply temperature: 190° F (88° C)
- Max. mixed temperature: controlled by mixing valve (not supplied)
- Safety shut-off time – 40 to 60 seconds
  - Adjustable
  - Factory setting – 40 seconds

## Compliance

- ANSI/ASME A112.18-2000
- Americans with Disabilities Act (ADA)
- CAN/CSA – B125
- UL listed



# ■ GEBERIT®

Advanced plumbing technology

Geberit Manufacturing, Inc.

1100 Boone Dr., Michigan City, IN 46360 USA

U.S.: Phone: 219.879.4466 • Toll-free: 800.225.7217 • Fax: 219.872.8003

Canada: Toll-free: 866.748.4646 • Fax: 514.648.8509

www.us.geberit.com