

Infrared Faucet
Internal Mixer
DC Power Source



115.711.21.1

GEBERIT®

Advanced plumbing technology

Model 115.711.21.1 Internal Mixer - DC Power

Product Specifications

Faucet shall be chrome-plated, all metal construction, die-cast spout measuring 6-1/8" from centerline of faucet.

Faucet shall feature: infrared self-adjusting sensor, single hole mounting; one six-volt lithium battery power source mounted within spout cavity with minimum 200,000 cycle life; low battery indicator integral with sensor array; removable shroud with internal temperature control; flow control 2.0 GPM (7.6 LPM) vandal resistant aerator; stainless supply lines (provided); filtering backflow preventers (provided); direct to supply stop connection.

Warranty

Five-year limited

Options

4" c.c. chrome bolt down plate
8" c.c. chrome bolt down plate
Special finishes available

Optional Vandal Resistant Aerators

- 2.2 GPM (8.3 LPM) aerated flow
- 0.5 GPM (1.9 LPM) flow restrictor

Features

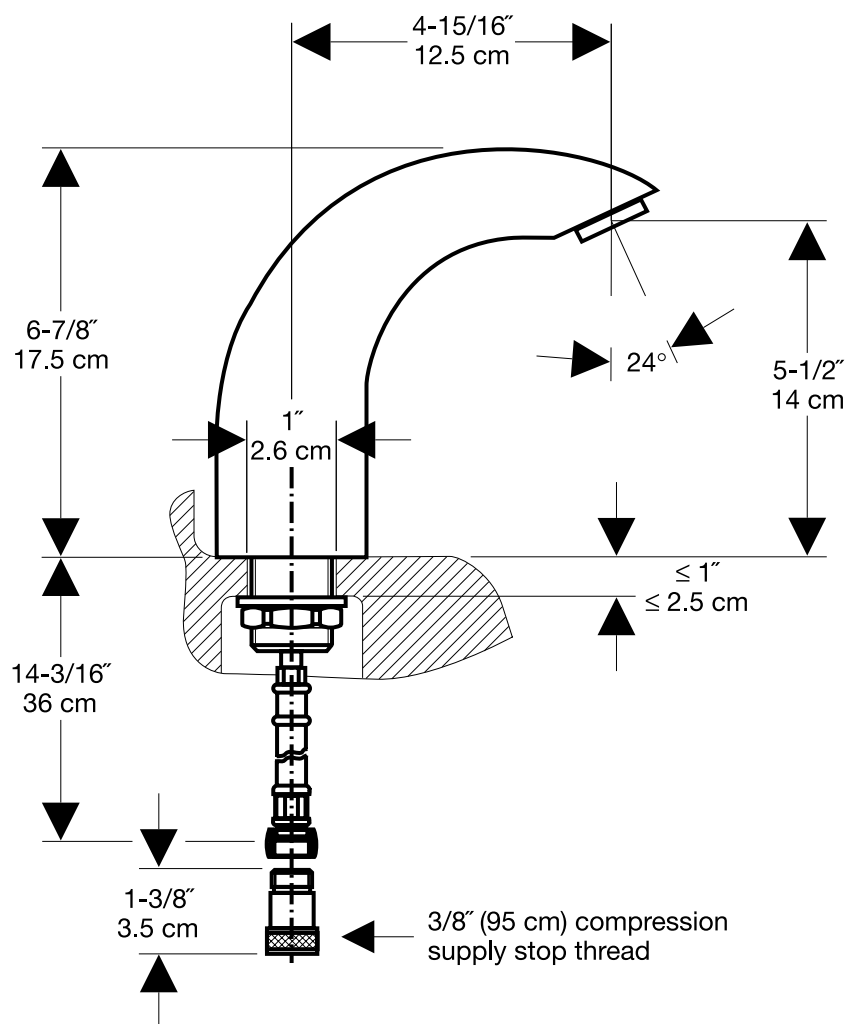
- Self adjusting infrared actuation
- DC power source using 6-volt lithium power cell
- Life expectancy - 200,000 cycles
- Internal temperature control
- Above deck access to all electrical components
- Vandal resistant design
- Die-cast with triple chrome plating
- Vandal resistant aerator
- 2.0 GPM (7.6 LPM) flow
- Low battery power indicator
- Complies with ADA requirements
- Full five-year warranty

Technical Data

- Pressure range: 15-100 PSI (1-7 bar)
- Max. supply temperature: 190° F (90° C)
- Max. mixed supply temperature: 149° F (65° C)
- Safety shut-off time - 60 seconds

Compliance

- ANSI/ASME A112.18-2000
- Americans with Disabilities Act (ADA)
- CAN/CSA - B125
- NSF 61-9



■ GEBERIT®

Advanced plumbing technology

Geberit Manufacturing, Inc.

1100 Boone Dr., Michigan City, IN 46360 USA

U.S.: Phone: 219.879.4466 • Toll-free: 800.225.7217 • Fax: 219.872.8003

Canada: Toll-free: 866.748.4646 • Fax: 514.648.8509

www.us.geberit.com