



a Geberit company

2100 South Clearwater Drive
Des Plaines, IL 60018
Phone: 847-803-5000
Fax: 847-803-5454
www.chicagofaucets.com

ROUGH-IN

FITTING NO.

834-EPLESS698LESSPEDALS

SUBMITTED MODEL NO.

FOR TECHNICAL ASSISTANCE
1-800-TEC-TRUE (1-800-832-8783)

BY: SID

DATE: 07-20-09

CHK: *[Signature]*

REV:

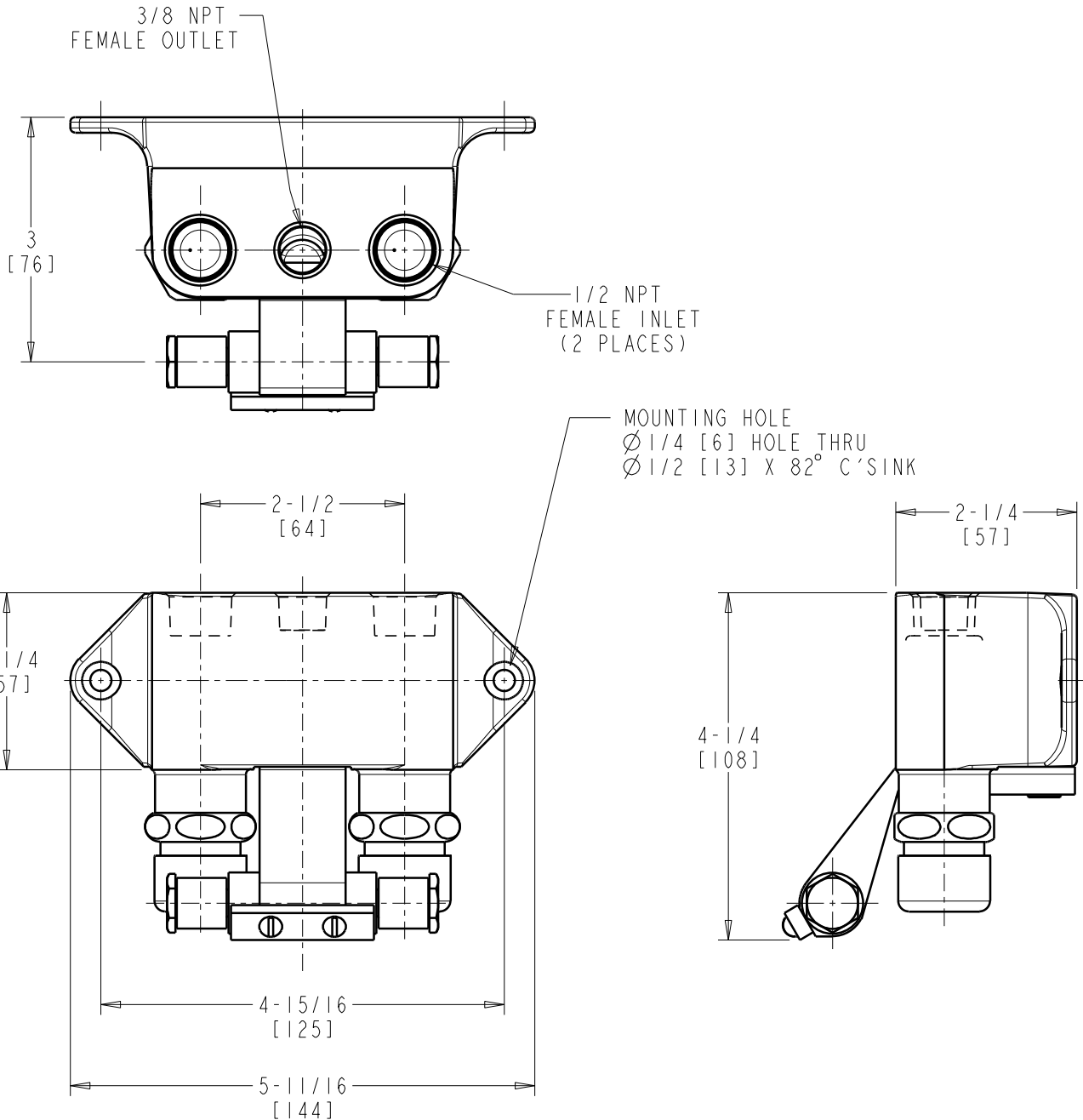
SUBMITTED AS SHOWN

SUBMITTED AS NOTED

SEE ATTACHED FOR
SUBMITTED MODIFICATION

JOB NAME

ITEM NO.



DIMENSIONS ARE IN INCHES AND [MILLIMETERS].

TECHNICAL DATA

- WALL MOUNTED COMBINATION PEDAL VALVE
- 625-X NAIAD PUSH BUTTON CARTRIDGES
- LESS ANGLE STOP FITTINGS
- LESS PEDALS
- FINISH: CHROME PLATE

- ASME A112.18.1/CSA B125.1 COMPLIANT
- NSF/ANSI 61 COMPLIANT

ROUGHING IN DIMENSIONS MAY VARY AND ARE SUBJECT TO CHANGE. NO RESPONSIBILITY IS ASSUMED FOR USE OF SUPERCEDED OR VOIDED DATA.