



a Geberit company

2100 South Clearwater Drive
Des Plaines, IL 60018
Phone: 847-803-5000
Fax: 847-803-5454
www.chicagofaucets.com

ROUGH-IN

FITTING NO.

806-CP

BY: JAR

DATE: 05-20-02

SUBMITTED MODEL NO.

CHK:

REV: 11-19-07

FOR TECHNICAL ASSISTANCE
1-800-TEC-TRUE (1-800-832-8783)

SUBMITTED AS SHOWN

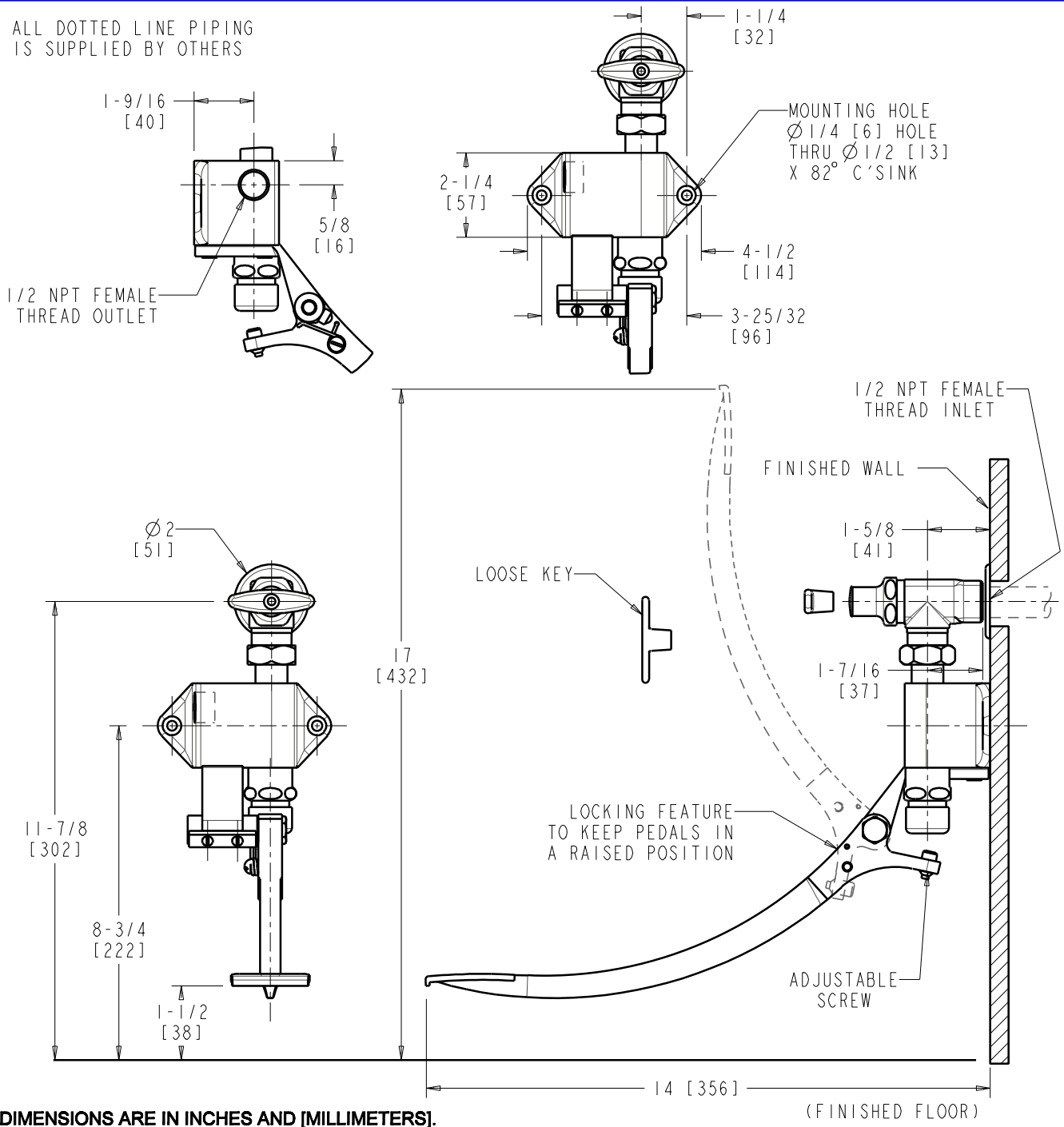
SUBMITTED AS NOTED

SEE ATTACHED FOR
SUBMITTED MODIFICATION

JOB NAME

ITEM NO.

ALL DOTTED LINE PIPING
IS SUPPLIED BY OTHERS



DIMENSIONS ARE IN INCHES AND [MILLIMETERS].

TECHNICAL DATA

- WALL MOUNTED SINGLE PEDAL VALVE
- 625-X NAIAD PUSH BUTTON CARTRIDGES
- LOOSE KEY STOP
- SLO-COMPRESSION OPERATING CARTRIDGES
- FINISH: CHROME PLATE

- ASME A112.18.1/CSA B125.1 COMPLIANT

ROUGHING IN DIMENSIONS MAY VARY AND ARE SUBJECT TO CHANGE. NO RESPONSIBILITY IS ASSUMED FOR USE OF SUPERCEDED OR VOIDED DATA.