



a Geberit company

2100 South Clearwater Drive  
Des Plaines, IL 60018  
Phone: 847-803-5000  
Fax: 847-803-5454  
www.chicagofaucets.com

# ROUGH-IN

FITTING NO.

**625-LPRCF**

SUBMITTED MODEL NO.

BY: SID

DATE: 03-10-09

CHK: *[Signature]*

REV:

**FOR TECHNICAL ASSISTANCE**  
**1-800-TEC-TRUE (1-800-832-8783)**

SUBMITTED AS SHOWN

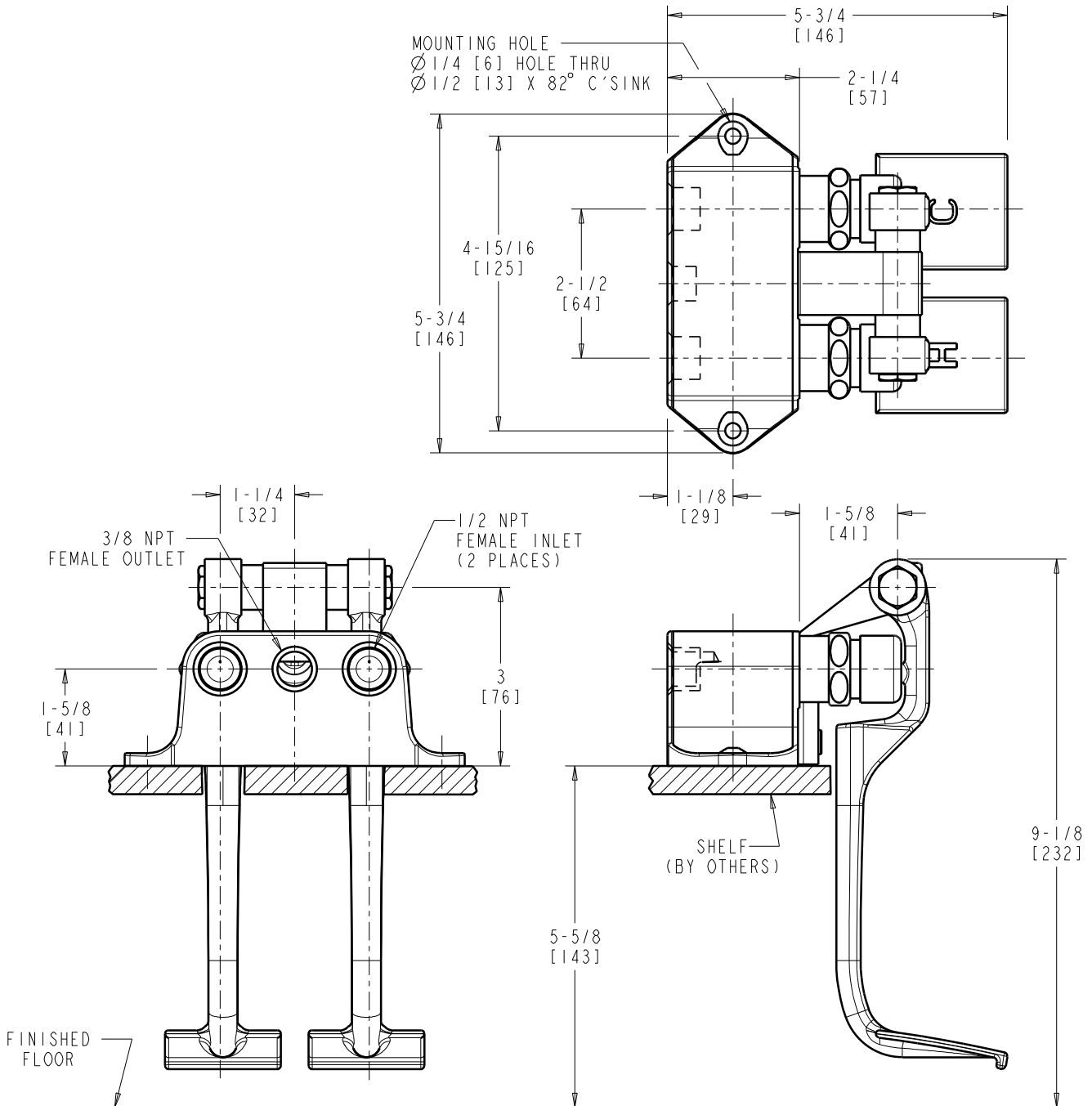
SUBMITTED AS NOTED

SEE ATTACHED FOR  
SUBMITTED MODIFICATION

JOB NAME

ITEM NO.

ROUGHING IN DIMENSIONS MAY VARY AND ARE SUBJECT TO CHANGE. NO RESPONSIBILITY IS ASSUMED FOR USE OF SUPERCEDED OR VOIDED DATA.



DIMENSIONS ARE IN INCHES AND [MILLIMETERS].

### TECHNICAL DATA

- COMBINATION PEDAL VALVE
- LONG INDEXED PEDALS FOR SHELF MOUNT
- 628X NAIAD SELF CLOSING CARTRIDGES
- FINISH: ROUGH CHROME

- ASME A112.18.1/CSA B125.1 COMPLIANT
- NSF/ANSI 61 COMPLIANT