



2100 South Clearwater Drive
Des Plaines, IL 60018
Phone: 847-803-5000
Fax: 847-803-5454
www.chicagofaucets.com

FOR TECHNICAL ASSISTANCE
1-800-TEC-TRUE (1-800-832-8783)

ROUGH-IN

BY: SID DATE: 02-26-09
CHK: *[Signature]* REV:

FITTING NO.

625-699CP

SUBMITTED MODEL NO.

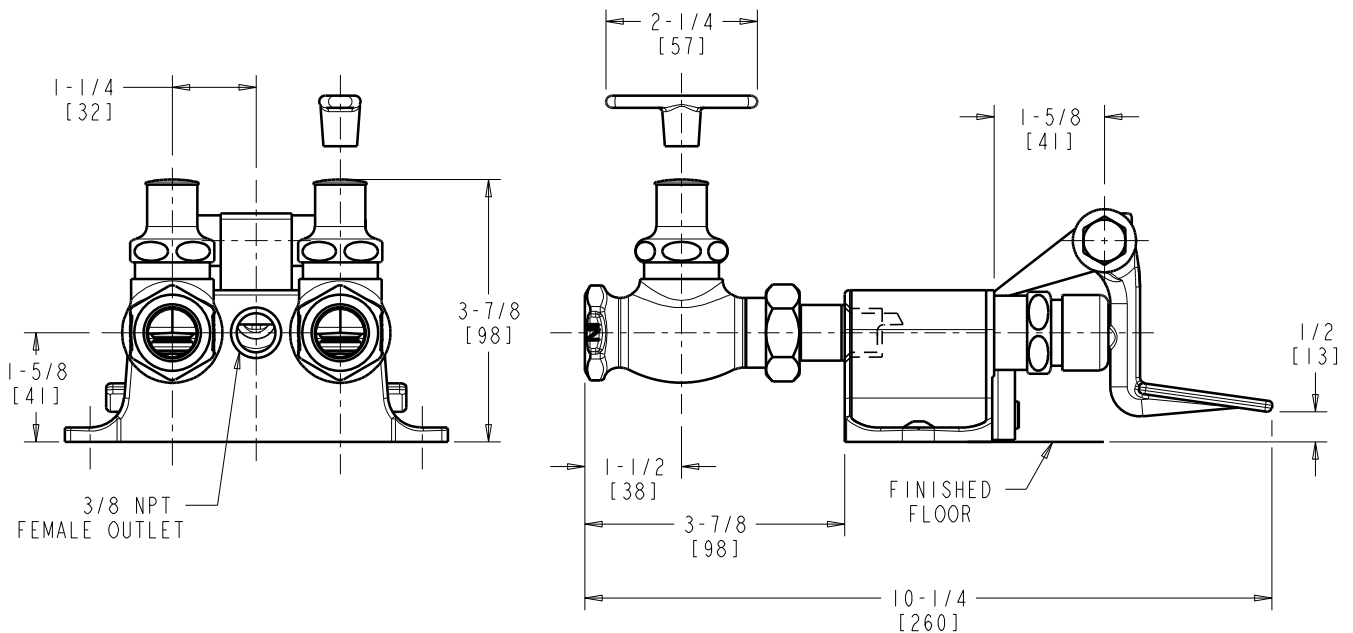
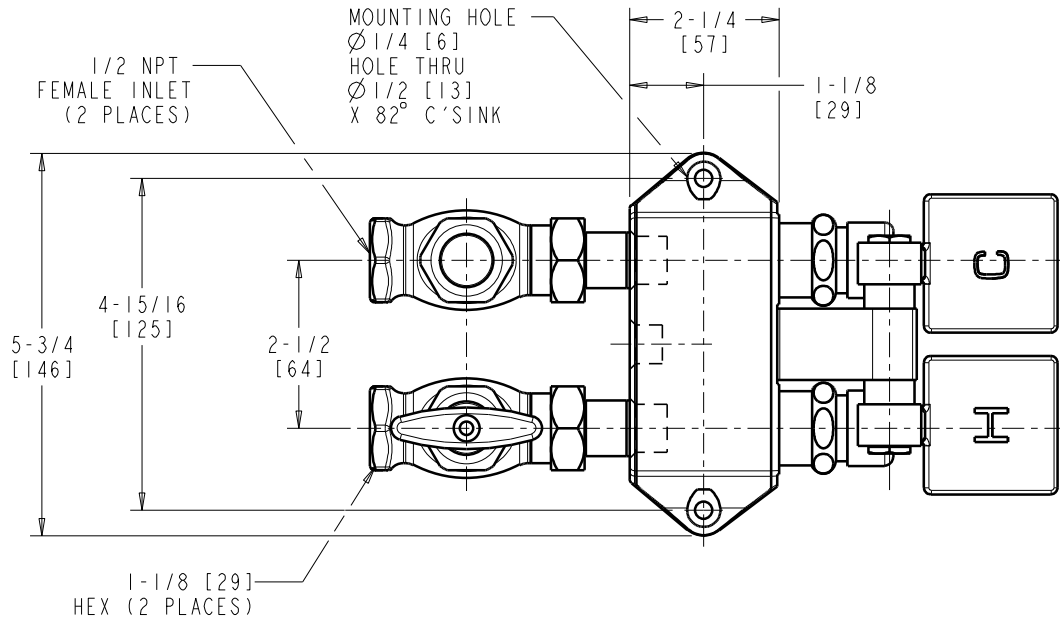
SUBMITTED AS SHOWN

SUBMITTED AS NOTED

SEE ATTACHED FOR
SUBMITTED MODIFICATION

JOB NAME

ITEM NO.



DIMENSIONS ARE IN INCHES AND [MILLIMETERS].

TECHNICAL DATA

- COMBINATION PEDAL VALVE WITH STRAIGHTWAY STOPS
- 293-006 LOOSE KEY TEE HANDLE
- SHORT INDEXED PEDALS
- SLO-COMPRESSION OPERATING CARTRIDGES
- 628X NAIAD SELF CLOSING CARTRIDGES
- FINISH: CHROME PLATE

- ASME A112.18.1/CSA B125.1 COMPLIANT
- NSF/ANSI 61 COMPLIANT

ROUGHING IN DIMENSIONS MAY VARY AND ARE SUBJECT TO CHANGE. NO RESPONSIBILITY IS ASSUMED FOR USE OF SUPERCEDED OR VOIDED DATA.