

JOB NAME

ITEM NO.

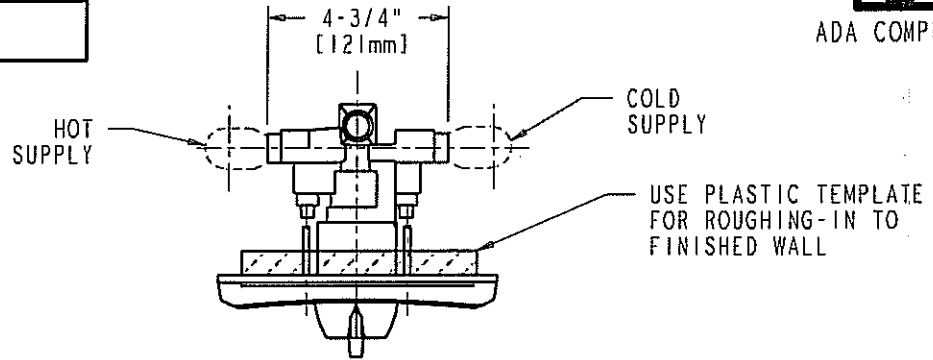
SUBMITTED AS SHOWN

SUBMITTED AS NOTED

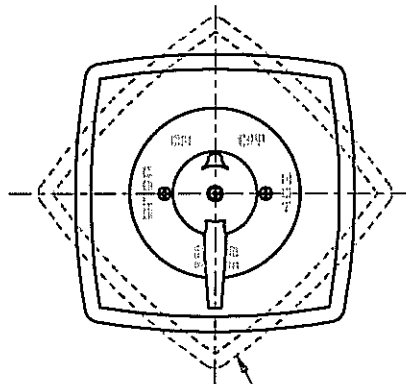
SEE ATTACHED FOR
SUBMITTED MODIFICATION



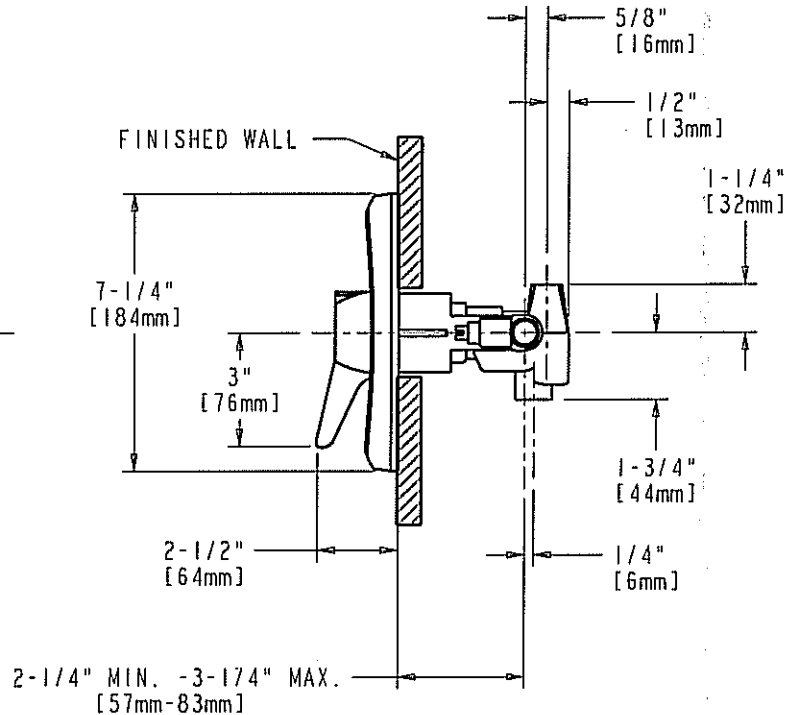
ADA COMPLIANT



**TOP VIEW
(VALVE DETAIL)**



ALTERNATE POSITION
OF COVER PLATE



NOTE - CONTROL VALVE:

1. 1/2" (5/8" OD) NOMINAL COPPER HOT AND COLD SUPPLY INLETS.
2. 1/2" (5/8" OD) NOMINAL COPPER HOT AND COLD SUPPLY OUTLETS.
3. ALL DOTTED LINE PIPING AS SUPPLIED BY OTHERS.

TECHNICAL DATA

- BUILT-IN PRESSURE BALANCING VALVE
- 239 LEVER HANDLE
- PRESSURE BALANCING CARTRIDGE
- SHOWER VALVE CYCLES FROM COLD TO HOT
- INTEGRAL SERVICE STOPS
- FINISH: CHROME PLATE

- ASME A112.181.IM COMPLIANT
- CSA B125 COMPLIANT
- ASSE 1016 COMPLIANT

DATE: 9-21-04

BY: JAR

CHK'D:

APP'D: *AT*

REV: 08-02-05

1762-1SVOC

ROUGHING IN DIMENSIONS MAY VARY AND ARE SUBJECT TO CHANGE. NO RESPONSIBILITY IS ASSUMED FOR USE OF SUPERCEDED OR VOIDED DATA.